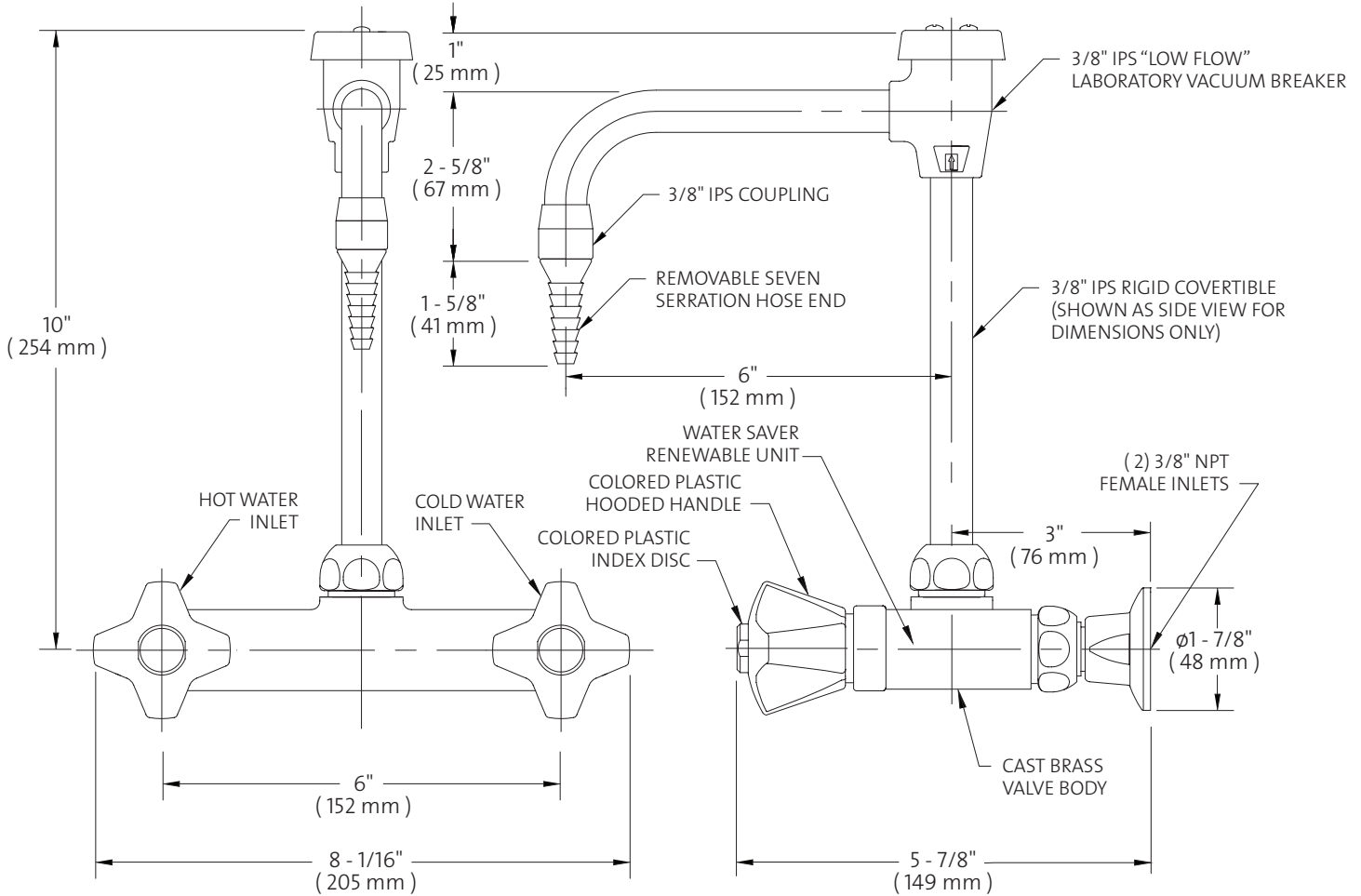
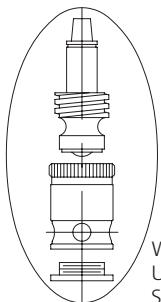
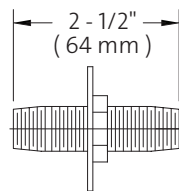




CT1714VB-WS Laboratory Mixing Faucet, Panel Mounted, 6" Rigid/Swing Gooseneck



FURNISHED WITH (2) 3/8" IPS MOUNTING SHANKS WITH LOCKNUTS AND WASHERS



WATER SAVER RENEWABLE UNIT WITH REPLACEABLE STAINLESS STEEL SEAT



NOTES:

1. FIXTURE IS CERTIFIED BY CSA INTERNATIONAL TO COMPLY WITH ASME A12.18.1M AND CSA B125.1
2. FIXTURE IS FULLY ASSEMBLED (WITH MOUNTING SHANKS LOOSE) AND FACTORY TESTED PRIOR TO SHIPMENT. IF MOUNTING SHANKS ARE TO BE ASSEMBLED, USE SUFFIX "WSA".
3. FIXTURE IS FURNISHED WITH COLORTECH POWDER-COATED FINISH.

Measurements may vary $\pm 1/4"$.

© 2008 / WaterSaver Faucet Co.