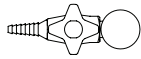




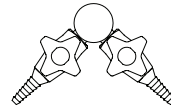
- **CT2800-231WSA** Laboratory Water Valve Fitting, Deck Mounted Single
- **CTFS2800-231WSA** Same as Above Except with Flow Stop



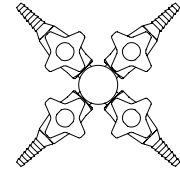
**CT2800-131WSA**  
Single



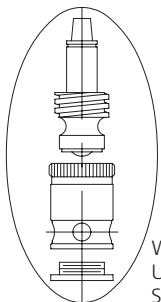
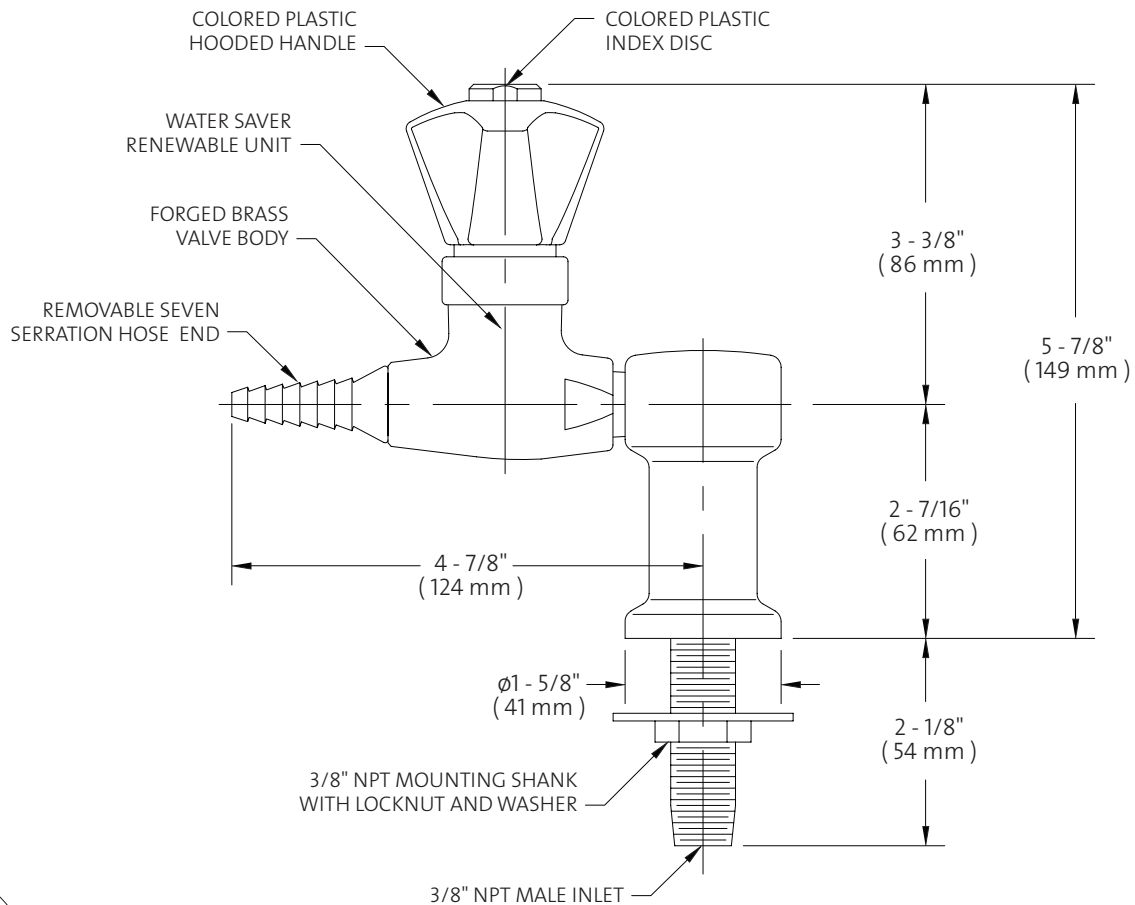
**CT2800-132WSA**  
180° Double



**CT2800-132AWSA**  
90° Double



**CT2800-134WSA**  
4-Way



WATER SAVER RENEWABLE UNIT WITH REPLACEABLE STAINLESS STEEL SEAT



### NOTES:

1. FIXTURE IS CERTIFIED BY CSA INTERNATIONAL TO COMPLY WITH ASME A112.18.1M AND CSA B125.1.
2. FIXTURE IS FULLY ASSEMBLED AND FACTORY TESTED PRIOR TO SHIPMENT.
3. FIXTURE IS FURNISHED WITH COLORTECH POWDER-COATED FINISH.

Measurements may vary ± 1/4".

© 2011 / WaterSaver Faucet Co.