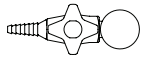




○ **CT2800-232WSA** Laboratory Water Valve Fitting, Deck Mounted Double at 180°

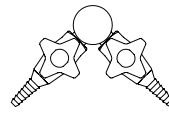
○ **CTFS2800-232WSA** Same as Above Except with Flow Stop



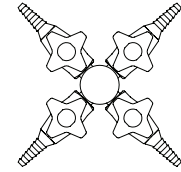
CT2800-131WSA
Single



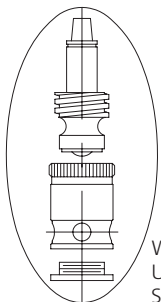
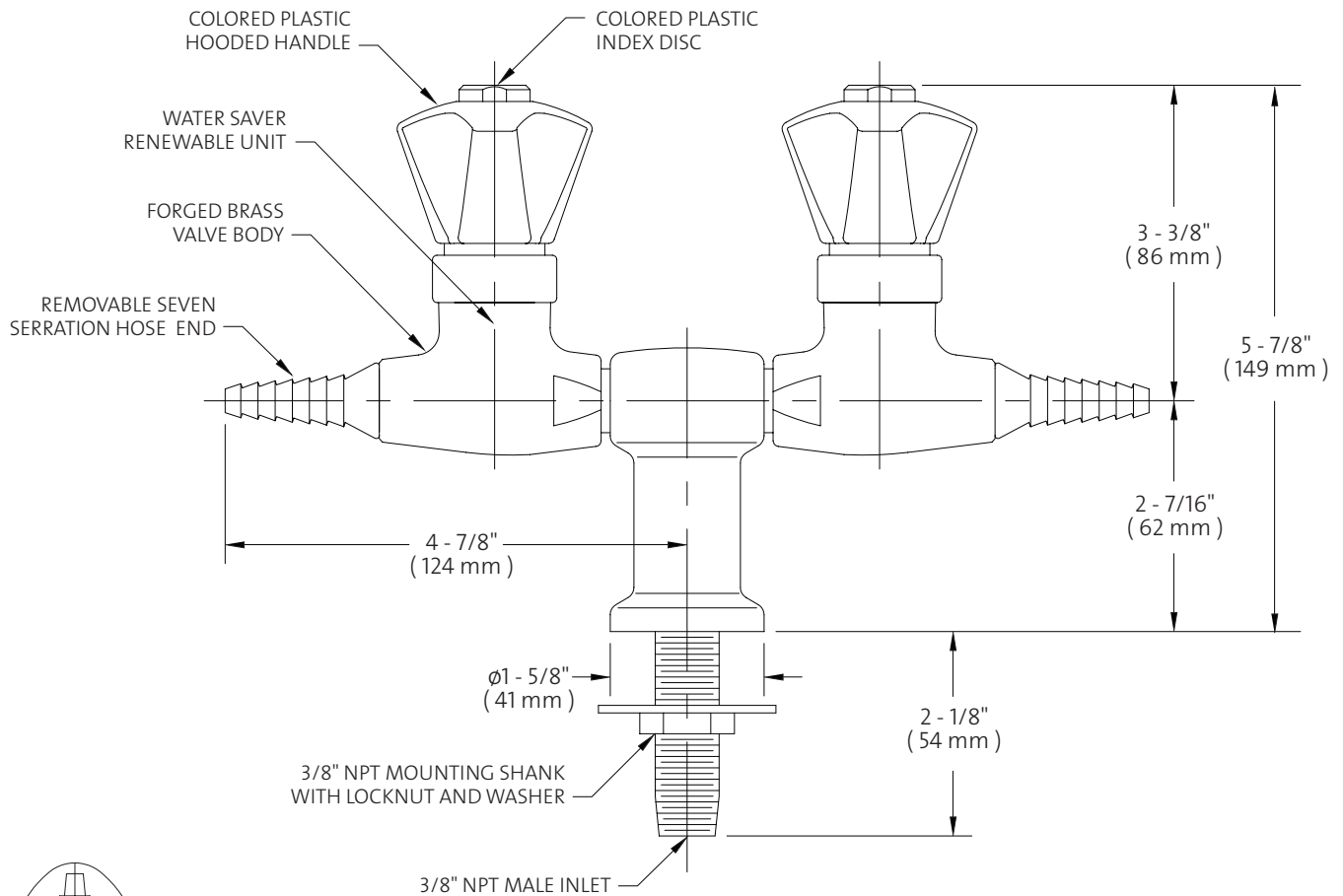
CT2800-132WSA
180° Double



CT2800-132AWSA
90° Double



CT2800-134WSA
4-Way



WATER SAVER RENEWABLE UNIT WITH REPLACEABLE STAINLESS STEEL SEAT



NOTES:

1. FIXTURE IS CERTIFIED BY CSA INTERNATIONAL TO COMPLY WITH ASME A112.18.1M AND CSA B125.1.
2. FIXTURE IS FULLY ASSEMBLED AND FACTORY TESTED PRIOR TO SHIPMENT.
3. FIXTURE IS FURNISHED WITH COLORTECH POWDER-COATED FINISH.

Measurements may vary ± 1/4".

© 2011 / WaterSaver Faucet Co.