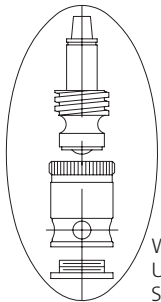
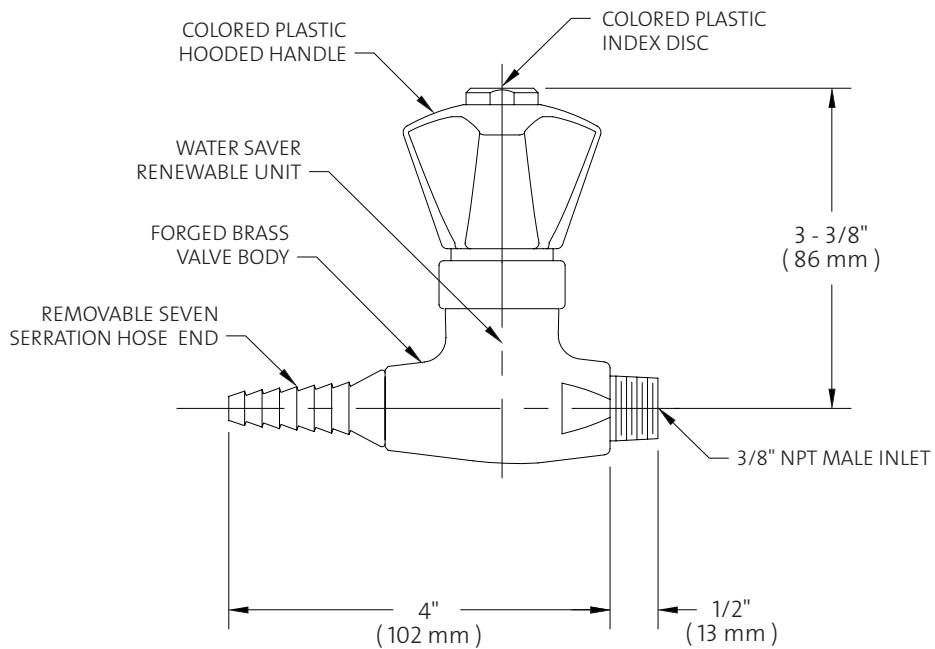




CT2800 Laboratory Water Valve, Straight Pattern



WATER SAVER RENEWABLE UNIT WITH REPLACEABLE STAINLESS STEEL SEAT



NOTES:

1. VALVE IS CERTIFIED BY CSA INTERNATIONAL TO COMPLY WITH ASME A112.18.1M AND CSA B125.1.
2. VALVE IS FULLY ASSEMBLED AND FACTORY TESTED PRIOR TO SHIPMENT.
3. VALVE IS FURNISHED WITH COLORTECT POWDER-COATED FINISH.

Measurements may vary $\pm 1/4$ ".

© 2008 / WaterSaver Faucet Co.