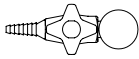
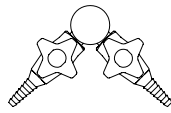




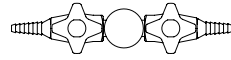
CT2890-231WSA Steam Valve Assembly, Deck Mounted Single



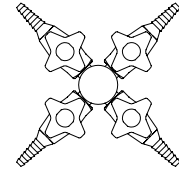
L2890-131WSA
Single



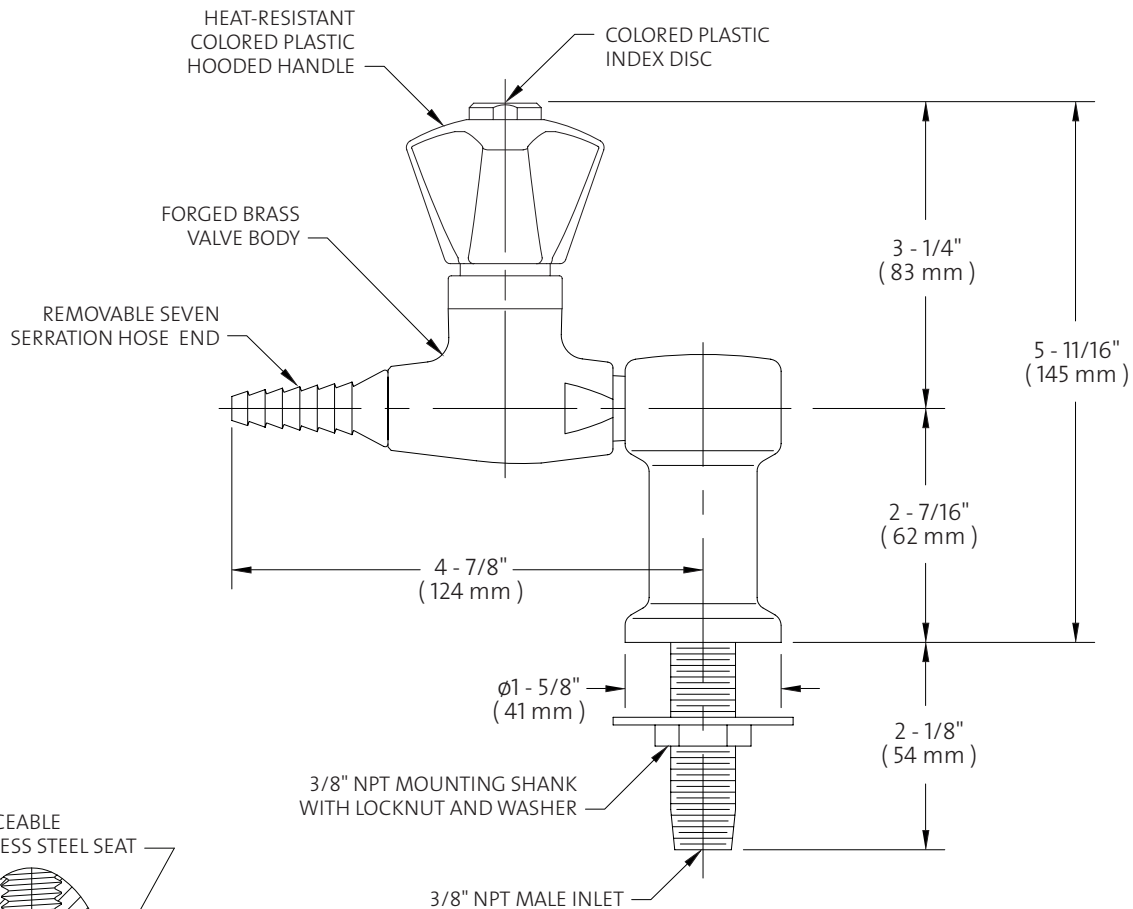
L2890-132SWSA
180° Double



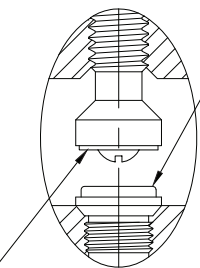
L2890-132AWSA
90° Double



L2890-134WSA
4-Way



REPLACEABLE STAINLESS STEEL SEAT



REPLACEABLE GLASS/CARBON-FILLED TFE VALVE DISC

NOTES:

1. FIXTURE IS FULLY ASSEMBLED AND FACTORY TESTED AT 100 PSI AIR PRESSURE. MAXIMUM WORKING PRESSURE OF VALVE IS 20 PSI SATURATED STEAM.
2. FIXTURE IS FURNISHED WITH COLORTECH POWDER-COATED FINISH.

Measurements may vary ± 1/4".

© 2008 / WaterSaver Faucet Co.