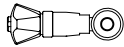


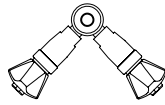


○ **CT3100-232WSA** Laboratory Water Valve Assembly, Overhead Mounted Double at 180°

○ **CTFS3100-232WSA** Same as Above Except with Flow Stop



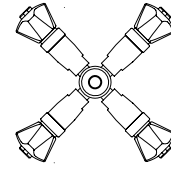
L2800-131WSA
Single



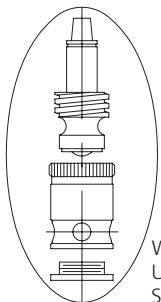
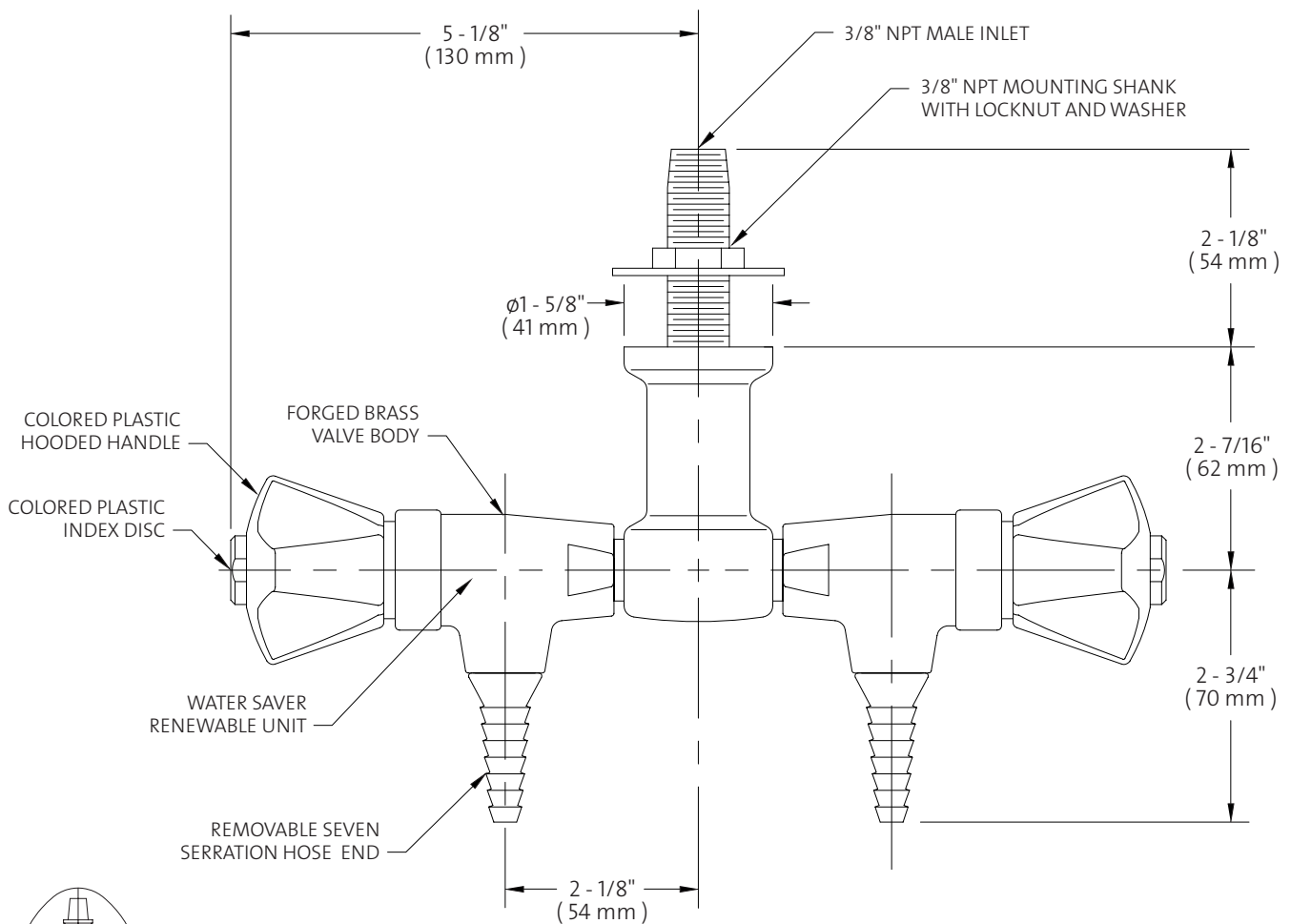
L2800-132WSA
180° Double



L2800-132AWSA
90° Double



L2800-134WSA
4-Way



WATER SAVER RENEWABLE UNIT WITH REPLACEABLE STAINLESS STEEL SEAT



NOTES:

1. FIXTURE IS CERTIFIED BY CSA INTERNATIONAL TO COMPLY WITH ASME A112.18.1M AND CSA B125.1.
2. FIXTURE IS FULLY ASSEMBLED AND FACTORY TESTED PRIOR TO SHIPMENT.
3. FIXTURE IS FURNISHED WITH COLORTECH POWDER-COATED FINISH.

Measurements may vary ± 1/4".

© 2008 / WaterSaver Faucet Co.