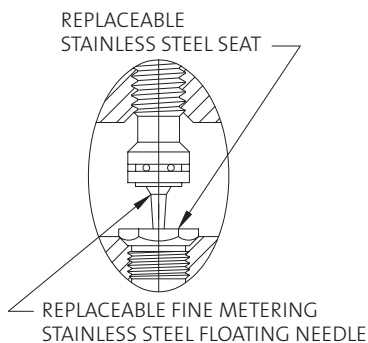
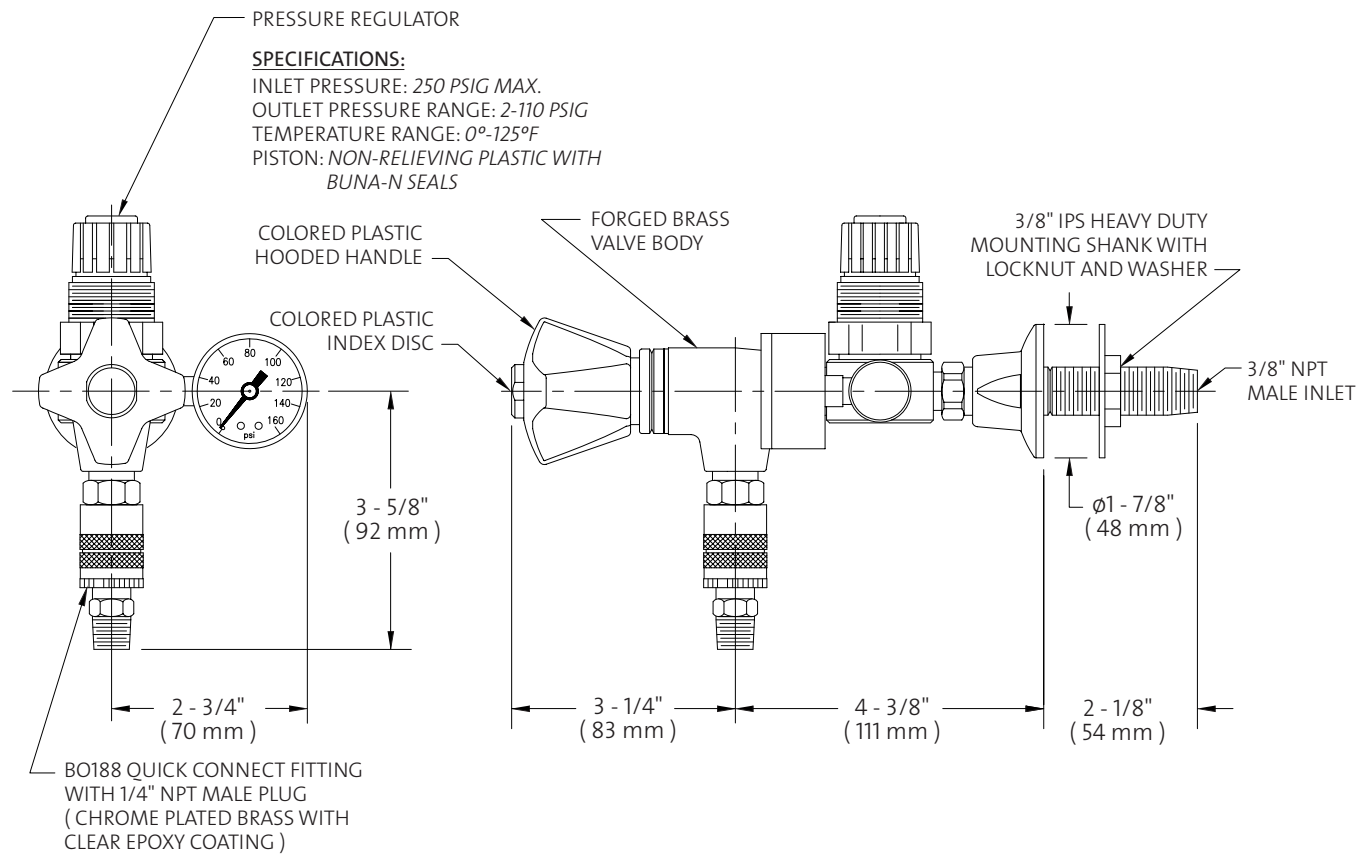




### CT3173-366-158WSA Pressure Regulator Fitting, Panel Mounted, Angle Pattern Laboratory Fine Control Needle Valve, Quick Connect Fitting, Gauge, Mounting Shank

This fixture is for use on pure gas systems, including oxygen. The following gases may be used with this fixture: air, argon, carbon dioxide, helium, nitrogen, nitrous oxide and oxygen. Do not use where pressure or temperature can exceed rated operating conditions.



#### NOTES:

1. FIXTURE IS CLEANED, DEGREASED AND PACKED FOR PURE GAS SERVICE.
2. FIXTURE IS FURNISHED WITH COLORTECH POWDER-COATED FINISH.

Measurements may vary ± 1/4".

© 2008 / WaterSaver Faucet Co.