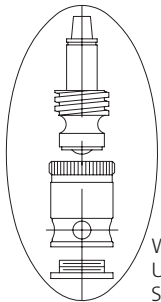
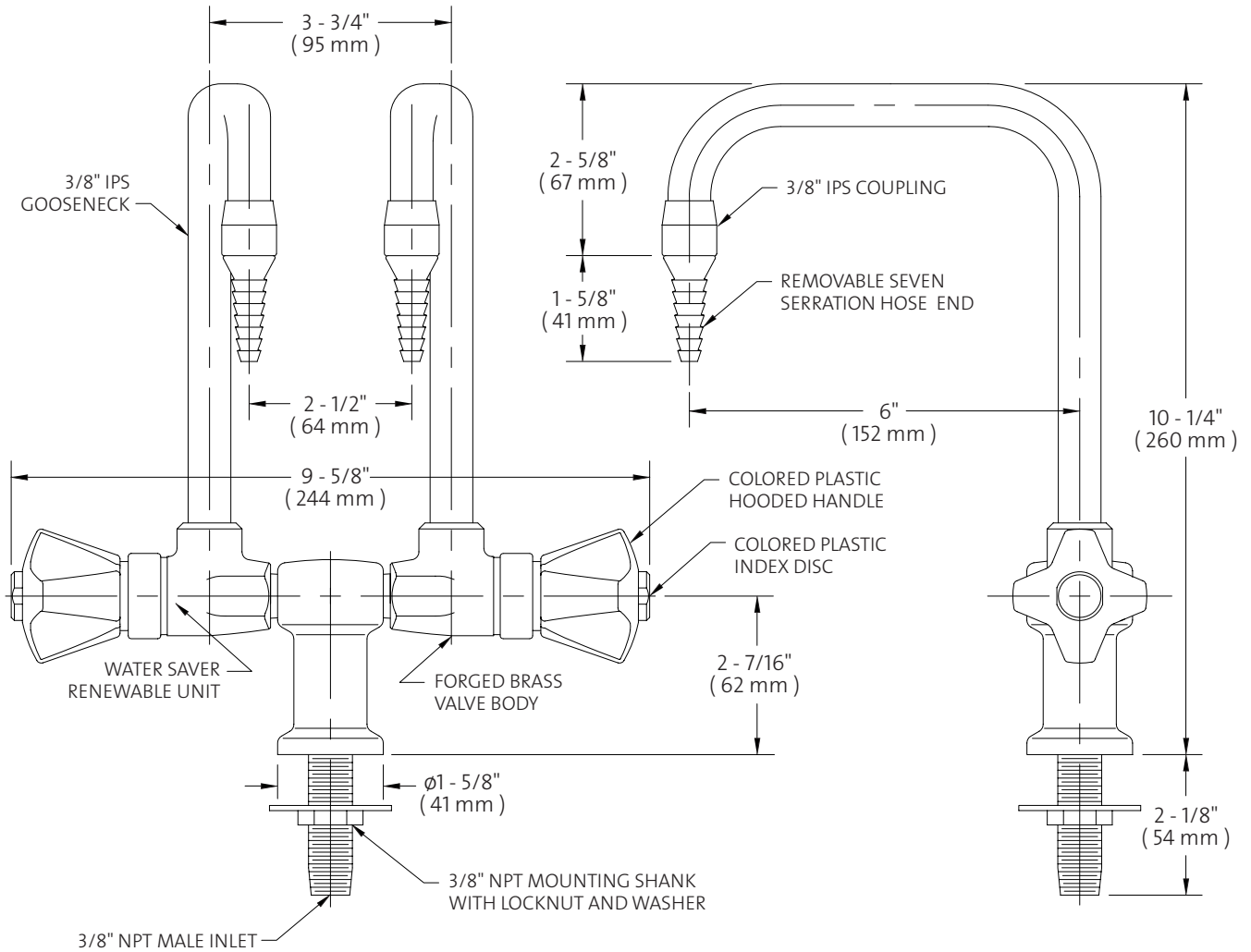




CT370WSA Double Outlet Fixture, Deck Mounted



WATER SAVER RENEWABLE UNIT WITH REPLACEABLE STAINLESS STEEL SEAT



NOTES:

1. FIXTURE IS CERTIFIED BY CSA INTERNATIONAL TO COMPLY WITH ASME A112.18.1M AND CSA B125.1
2. FIXTURE IS FURNISHED WITH COLORTACT POWDER-COATED FINISH.

Measurements may vary $\pm 1/4$ ".

© 2008 / WaterSaver Faucet Co.