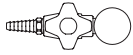
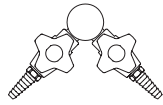




CT62870-6232SWSA Fine Control Needle Valve Assembly, Stainless Steel, Deck Mounted Double at 180°



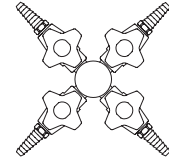
CT62870-6231WSA
Single



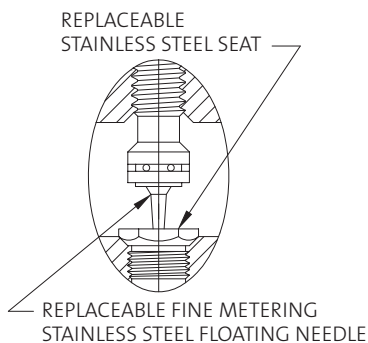
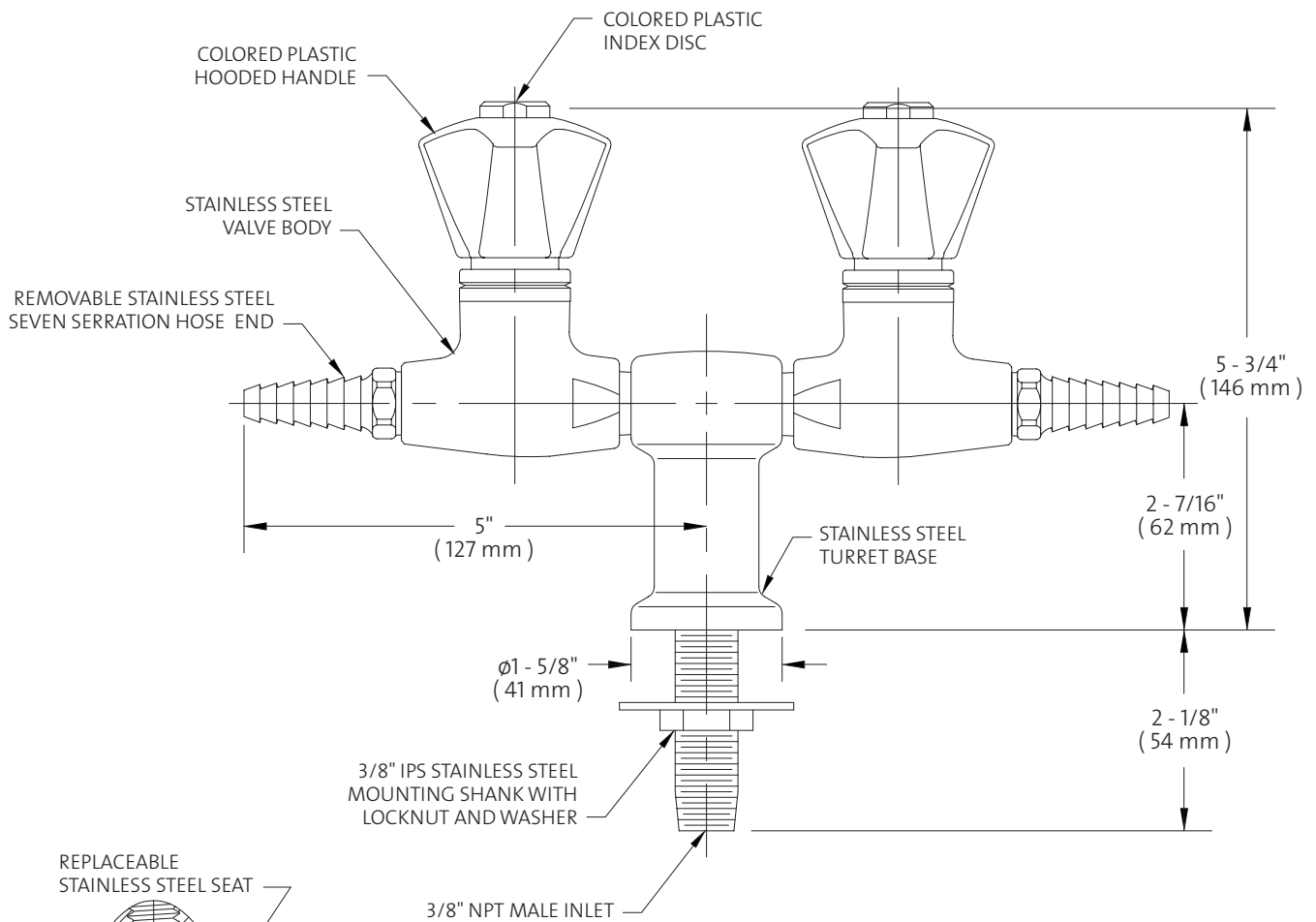
CT62870-6232AWSA
90° Double



CT62870-6232SWSA
180° Double



CT62870-6234WSA
4-Way



NOTES:

1. FIXTURE BODY AND COMPONENT ARE TYPE 316 STAINLESS STEEL.
2. FIXTURE IS CLEANED, DEGREASED AND PACKED FOR PURE GAS SERVICE.
3. FIXTURE IS FACTORY ASSEMBLED AND TESTED AT 375 PSI. MAXIMUM WORKING PRESSURE IS 250 PSI.

Measurements may vary ± 1/4".

© 2008 / WaterSaver Faucet Co.