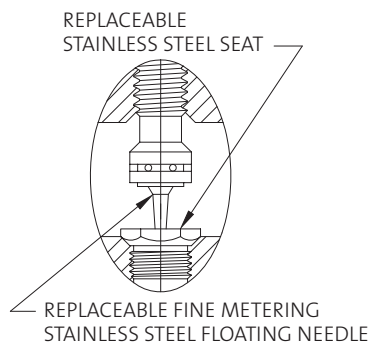
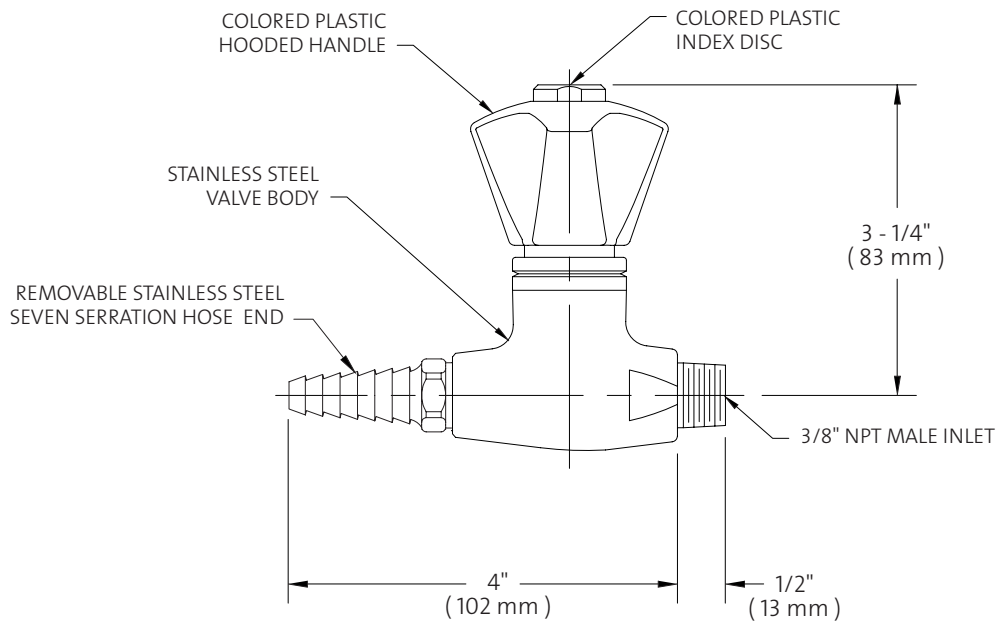




### CT62870 Fine Control Needle Valve, Stainless Steel, Straight Pattern



#### NOTES:

1. VALVE BODY AND COMPONENT ARE TYPE 316 STAINLESS STEEL.
2. VALVE IS CLEANED, DEGREASED AND PACKED FOR PURE GAS SERVICE.
3. VALVE IS FACTORY ASSEMBLED AND TESTED AT 375 PSI. MAXIMUM WORKING PRESSURE IS 250 PSI.

Measurements may vary  $\pm 1/4$ ".

© 2008 / WaterSaver Faucet Co.