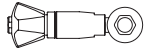
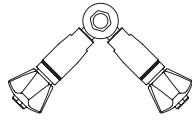




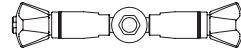
CT63170-6231WSA Fine Control Needle Valve Assembly, Stainless Steel, Overhead Carrier Mounted Single



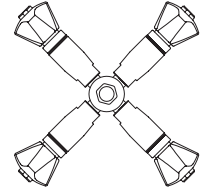
CT63170-6231WSA
Single



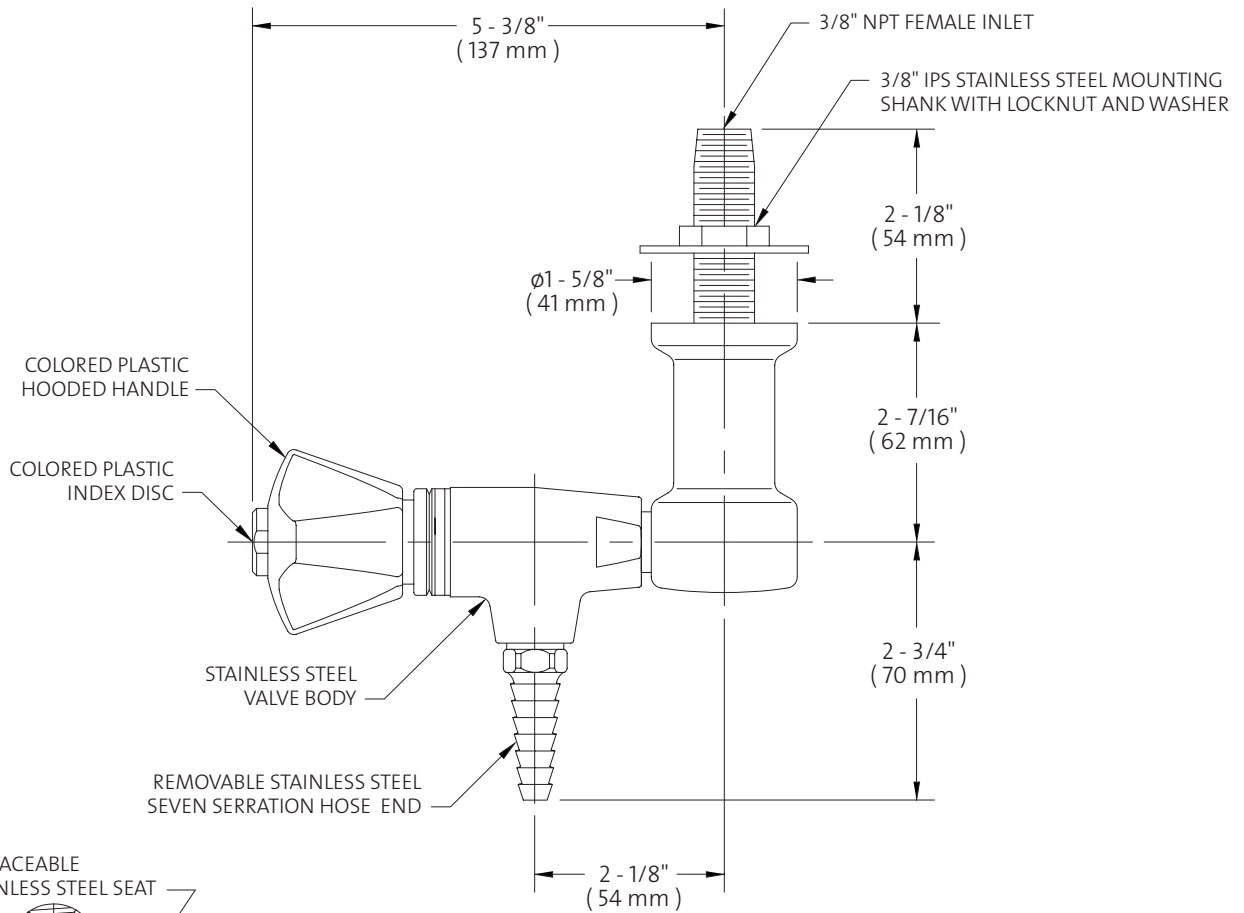
CT63170-6232AWSA
90° Double



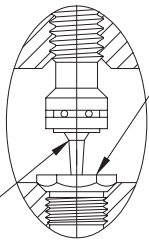
CT63170-6232SWSA
180° Double



CT63170-6234WSA
4-Way



REPLACEABLE STAINLESS STEEL SEAT



REPLACEABLE FINE METERING STAINLESS STEEL FLOATING NEEDLE

NOTES:

1. VALVE BODY AND COMPONENT ARE TYPE 316 STAINLESS STEEL.
2. VALVE IS CLEANED, DEGREASED AND PACKED FOR PURE GAS SERVICE.
3. VALVE IS FACTORY ASSEMBLED AND TESTED AT 375 PSI. MAXIMUM WORKING PRESSURE IS 250 PSI.

Measurements may vary ± 1/4".

© 2008 / WaterSaver Faucet Co.