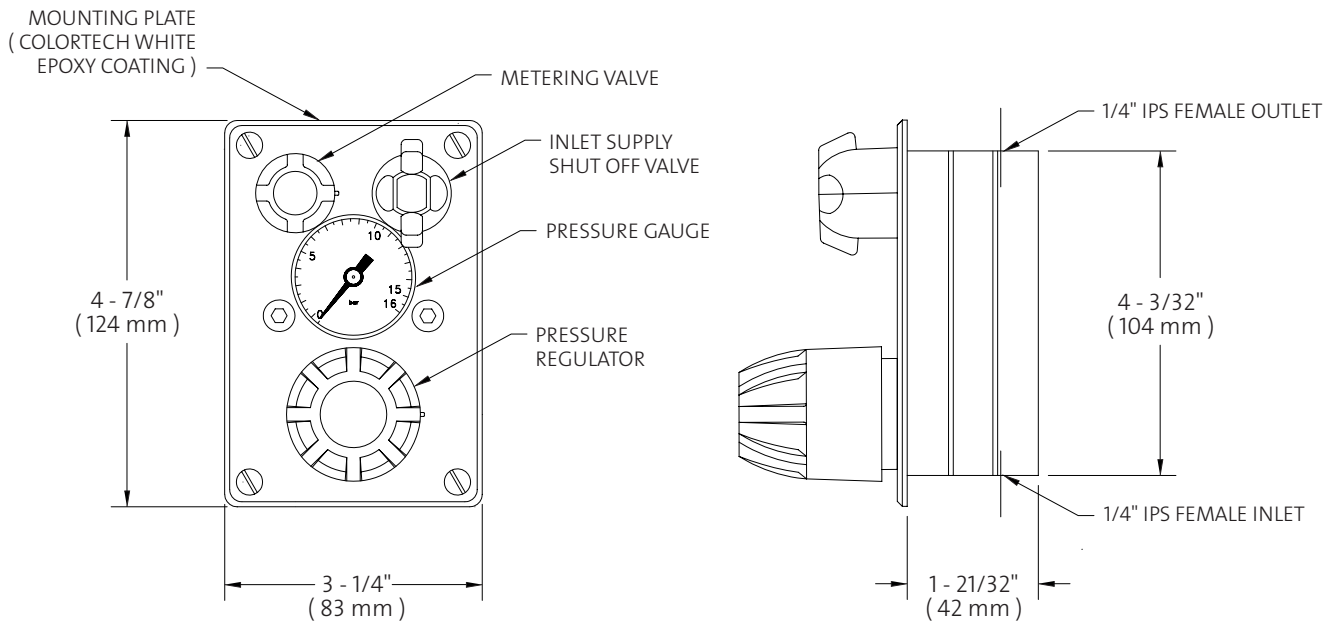
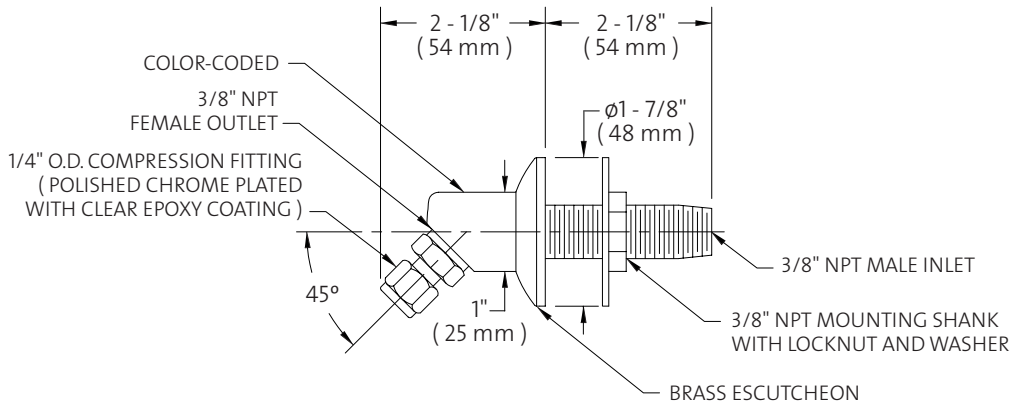




○ CT8430-MR Pressure Regulator Fitting for Ultra-High Purity Gas, Wall Mounted, Panel Mounted 45° Angle Outlet Fitting, 1/4" O.D. Compression Fitting, Mounting Shank



NOTE:

1. FIXTURE IS SUITABLE FOR LABORATORY GASES AT PURITY LEVELS UP TO 6.0 MAXIMUM INLET PRESSURE 580 PSI. OUTLEST PRESSURE 22, 58, 145 PSI. CERTIFIED MAXIMUM LEAKAGE RATE 10^{-8} mbar 1/sec. PRECISION METERING VALVE WITH METAL DIAPHRAGM.

Measurements may vary $\pm 1/4"$.

© 2008 / WaterSaver Faucet Co.