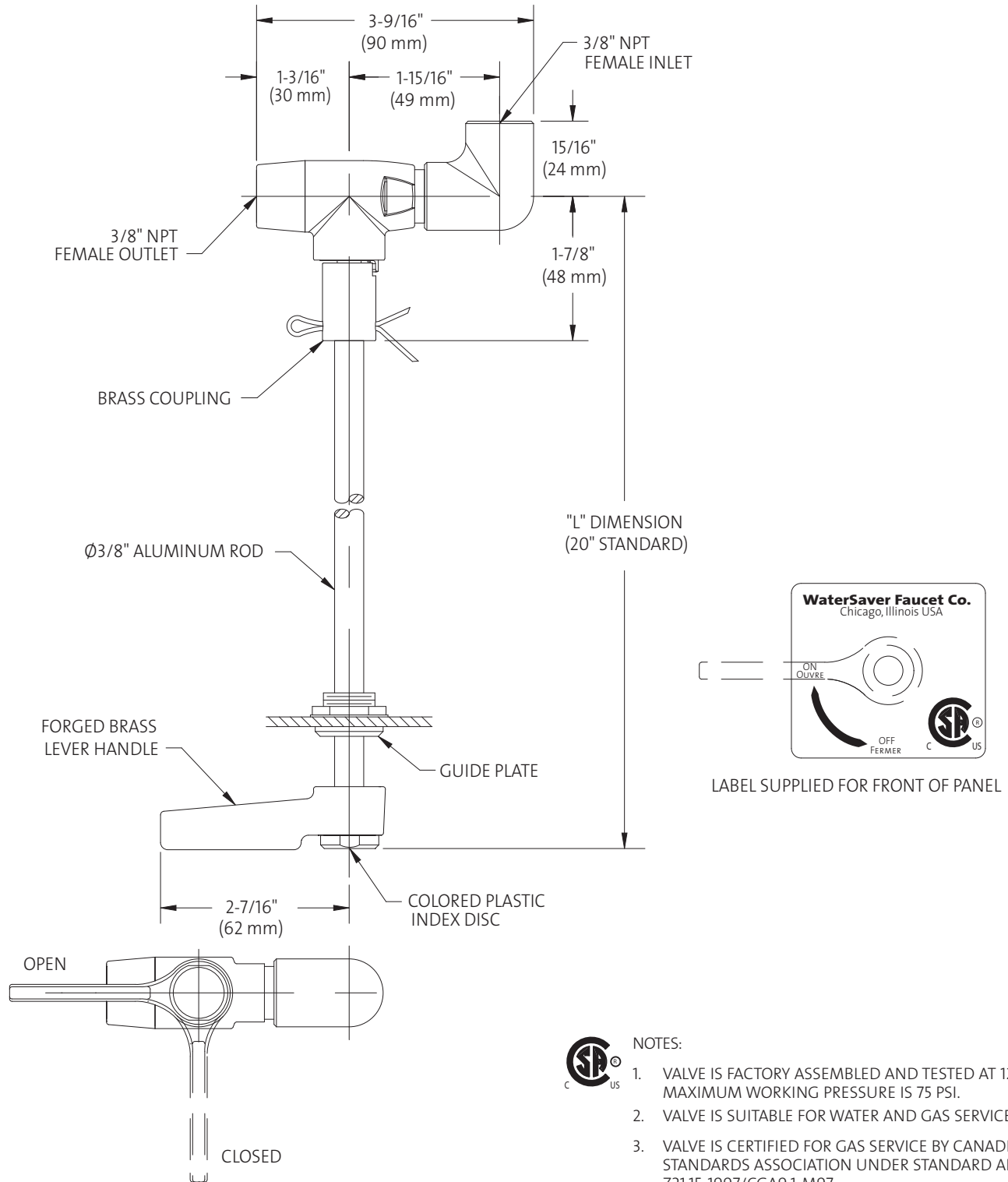


L4285HRB Laboratory Ball Valve, Remote Control (Horizontal-Right Hand)

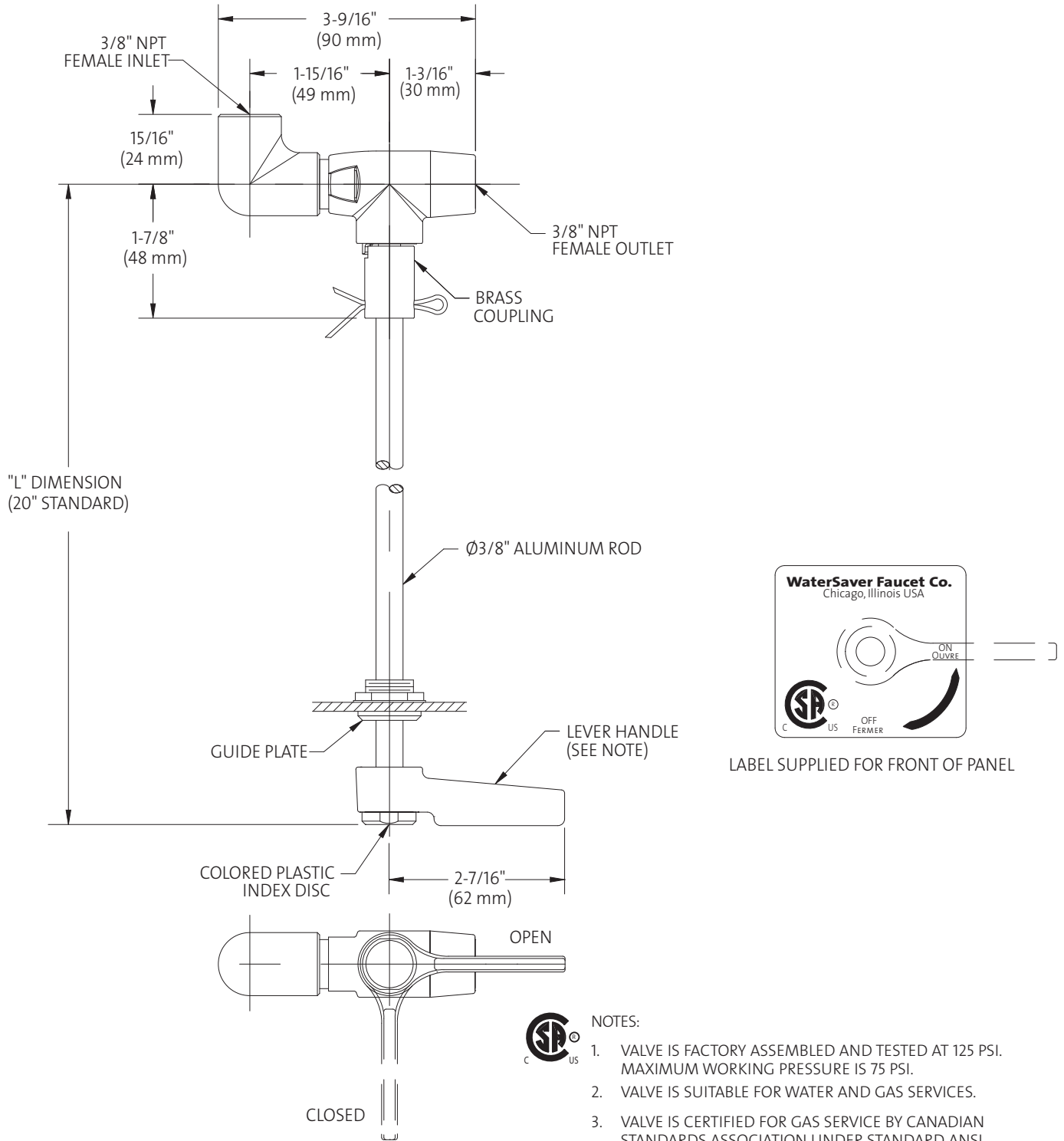
Note: Valve is designed for mounting on right hand side of fume hood.



Measurements may vary ± 1/4".

L4285HLB Laboratory Ball Valve, Remote Control (Horizontal-Left Hand)

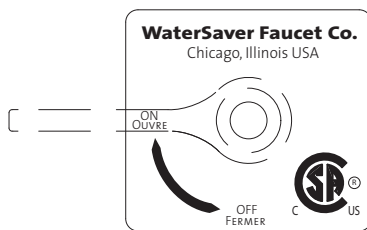
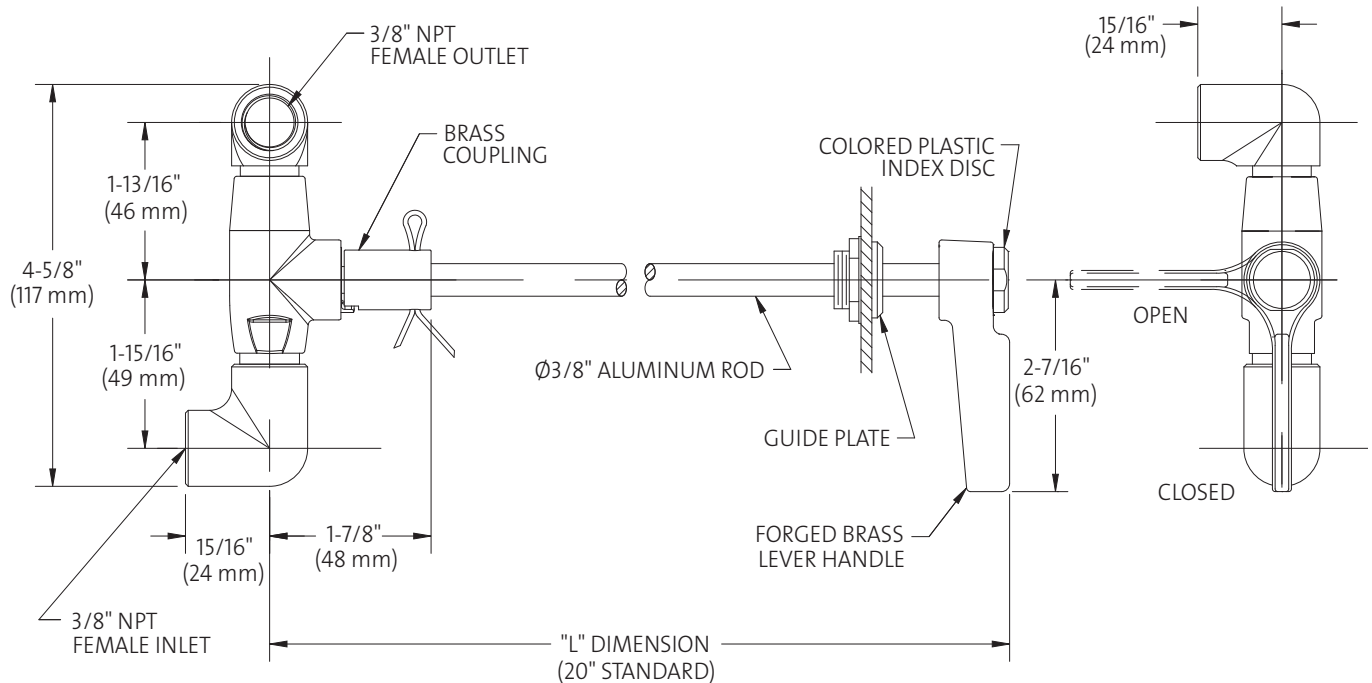
Note: Valve is Designed for mounting on left side of fume hood.



Measurements may vary $\pm 1/4$ ".

L4285VRB Laboratory Ball Valve, Remote Control (Vertical-Right Hand)

Note: Valve is Designed for mounting on right hand side of fume hood.



LABEL SUPPLIED FOR FRONT OF PANEL



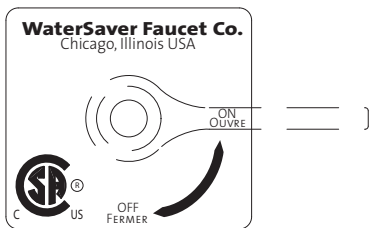
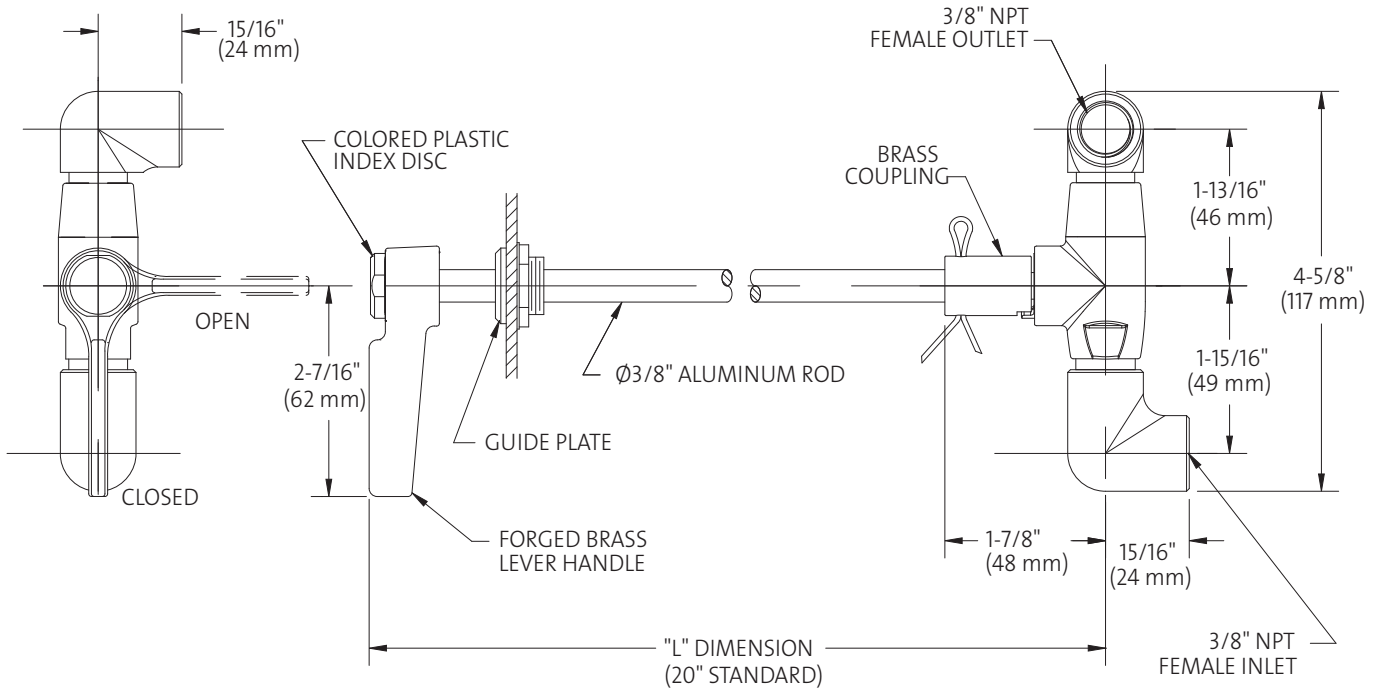
NOTES:

1. VALVE IS FACTORY ASSEMBLED AND TESTED AT 125 PSI. MAXIMUM WORKING PRESSURE IS 75 PSI.
2. VALVE IS SUITABLE FOR WATER AND GAS SERVICES.
3. VALVE IS CERTIFIED FOR GAS SERVICE BY CANADIAN STANDARDS ASSOCIATION UNDER STANDARD ANSI Z21.15-1997/CGA9.1-M97.

Measurements may vary $\pm 1/4$ ".

L4285VLB Laboratory Ball Valve, Remote Control (Vertical-Left Hand)

Note: Valve is designed for mounting on left hand side of fume hood.



LABEL SUPPLIED FOR FRONT OF PANEL



NOTES:

1. VALVE IS FACTORY ASSEMBLED AND TESTED AT 125 PSI. MAXIMUM WORKING PRESSURE IS 75 PSI.
2. VALVE IS SUITABLE FOR WATER AND GAS SERVICES.
3. VALVE IS CERTIFIED FOR GAS SERVICE BY CANADIAN STANDARDS ASSOCIATION UNDER STANDARD ANSI Z21.15-1997/CGA9.1-M97.

Measurements may vary $\pm 1/4$ ".