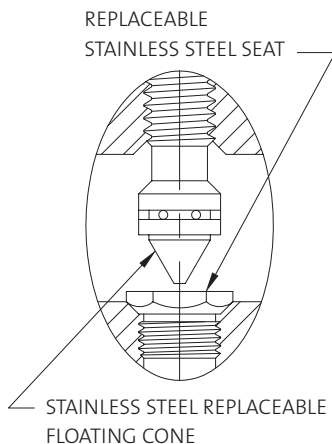
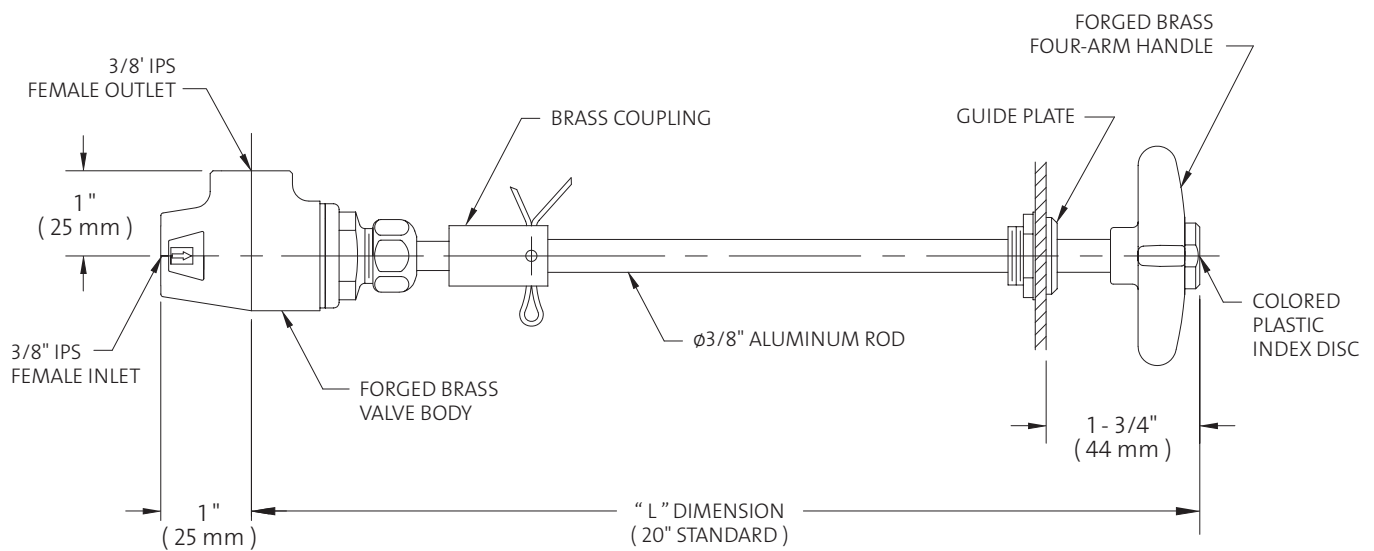


○ **L3185N** Remote Control Needle Valve, Angle Pattern with Guide Plate, Rod and Handle



NOTES:

1. VALVE IS FACTORY ASSEMBLED AND TESTED AT 225 PSI. MAXIMUM WORKING PRESSURE IS 150 PSI.
2. REMOTE CONTROL VALVE IS FURNISHED COMPLETE WITH GUIDE PLATE, ROD AND HANDLE WHEN ORDERING, SPECIFY TYPE OF GUIDE PLATE DESIRED, "L" DIMENSION AND SERVICE.

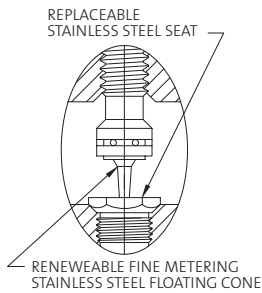
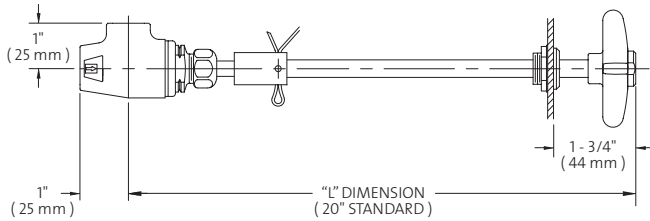
Measurements may vary $\pm 1/4$ ".

© 2008 / WaterSaver Faucet Co.

○ L3185 REMOTE CONTROL VALVES

FINE CONTROL NEEDLE VALVE CONSTRUCTION

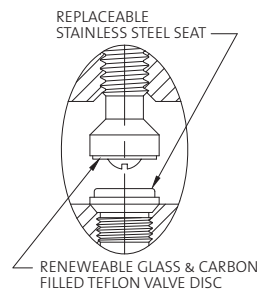
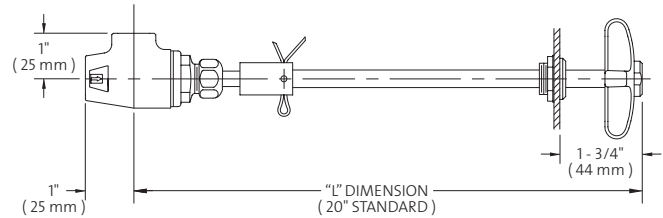
- **L3185FCN** Remote Control Fine Control Needle Valve, Rod-Type, Angle Pattern



- NOTES:
1. FIXTURE IS CLEANED, DEGREASED AND PACKED FOR PURE GAS SERVICE.
 2. VALVE IS FACTORY ASSEMBLED AND TESTED AT 375 PSI NITROGEN. MAXIMUM WORKING PRESSURE IS 250 PSI.

STEAM VALVE CONSTRUCTION

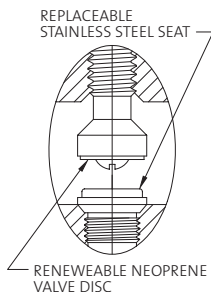
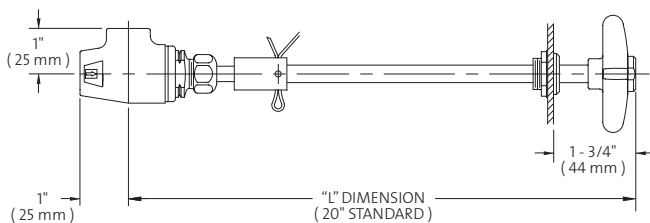
- **L3185S** Remote Control Steam Valve, Rod-Type, Angle Pattern



- NOTE:
1. VALVE IS FACTORY ASSEMBLED AND TESTED AT 100 PSI. MAXIMUM WORKING PRESSURE IS 20 PSI STEAM.

WATER VALVE CONSTRUCTION

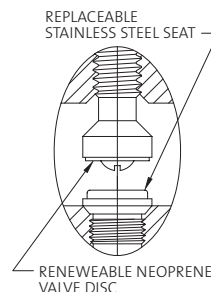
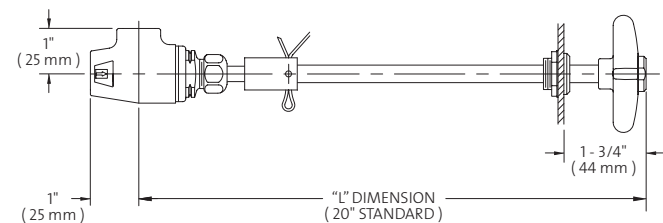
- **L3185W** Remote Control Water Valve, Rod-Type, Angle Pattern



- NOTES:
1. VALVE IS FACTORY ASSEMBLED AND TESTED AT 80 PSI. MAXIMUM WORKING PRESSURE IS 80 PSI.
 2. CSA CERTIFIED UNDER CAN/CSA B125.M89. COMPLIES WITH ANSI/ASME A112.18.1M.

TIN-LINED WATER VALVE CONSTRUCTION

- **L3185WTL** Remote Control Pure Water Valve, Rod-Type, Angle Pattern



- NOTES:
1. VALVE IS FACTORY ASSEMBLED AND TESTED AT 80 PSI. MAXIMUM WORKING PRESSURE IS 80 PSI.
 2. VALVE HAS INTERIOR LINING OF PURE TIN.

Measurements may vary $\pm 1/4$ ".

© 2008 / WaterSaver Faucet Co.