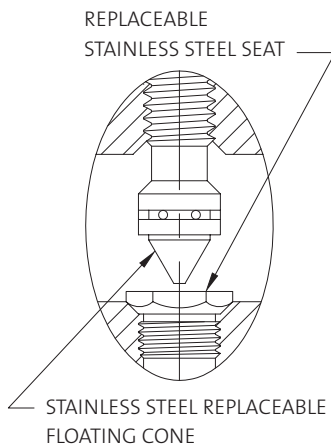
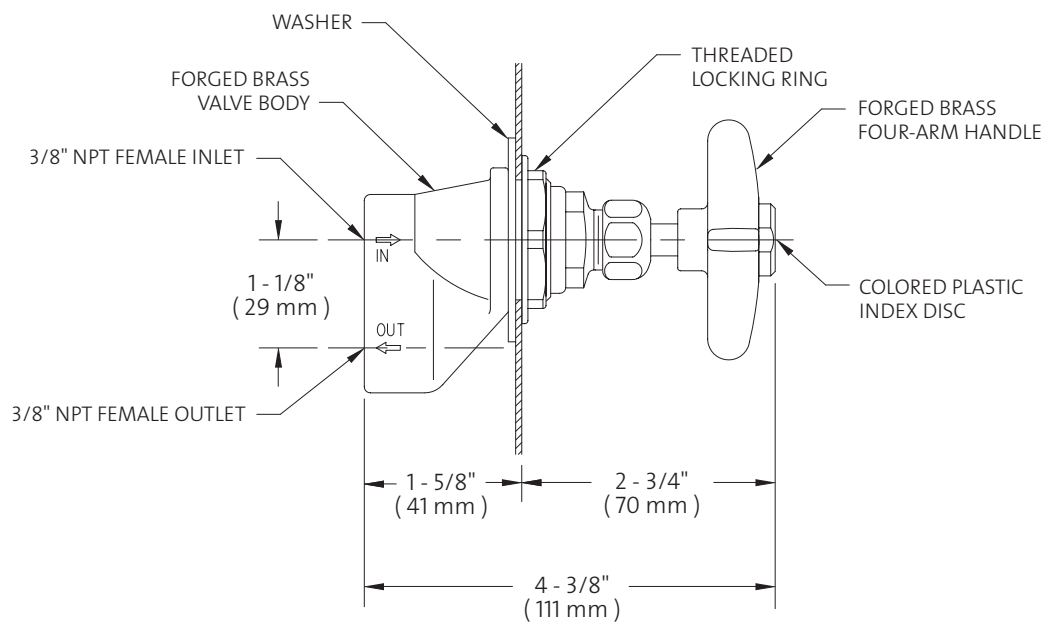


L740N Remote Control Needle Valve, Panel Mounted, Straight Front Hood



NOTES:

1. VALVE IS FACTORY ASSEMBLED AND TESTED AT 225 PSI. MAXIMUM WORKING PRESSURE IS 150 PSI.
2. PROVIDE Ø1-14" MOUNTING HOLE FOR VALVE.
3. MAXIMUM PANEL THICKNESS IS 1/8".

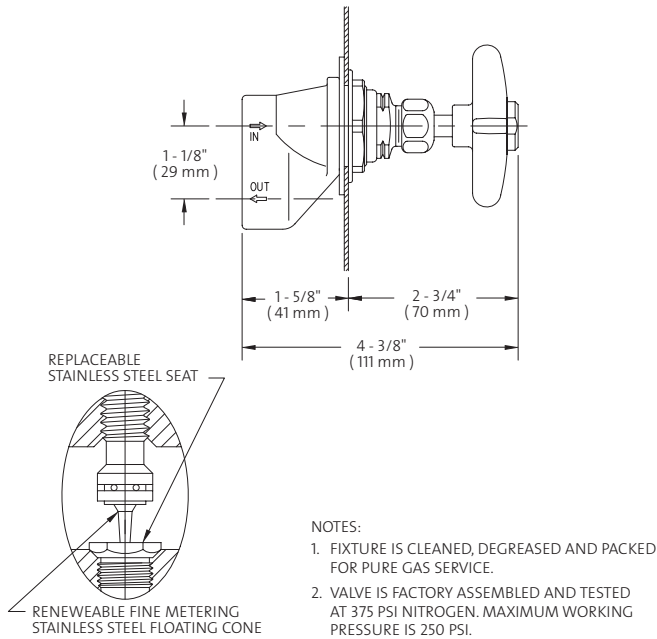
Measurements may vary $\pm 1/4$ ".

© 2008 / WaterSaver Faucet Co.

L740 REMOTE CONTROL VALVES

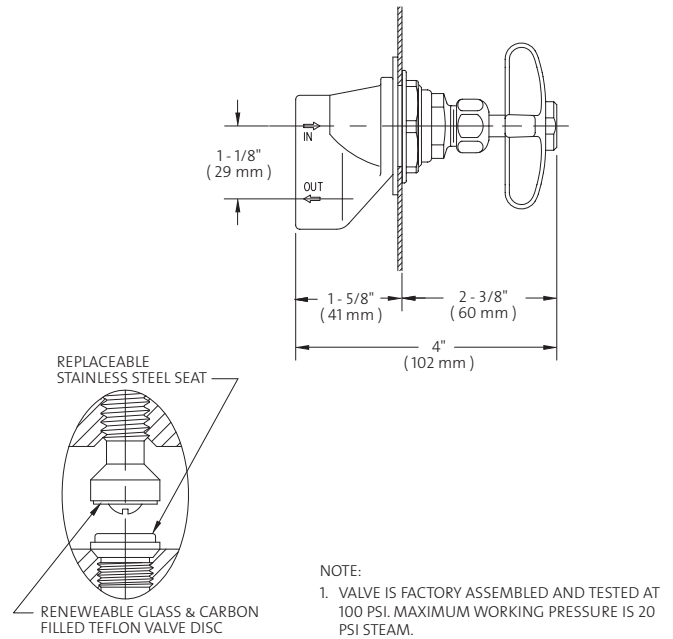
FINE CONTROL NEEDLE VALVE CONSTRUCTION

- L740FCN** Remote Control Fine Control Needle Valve, Panel Mounted, Straight Front Hood



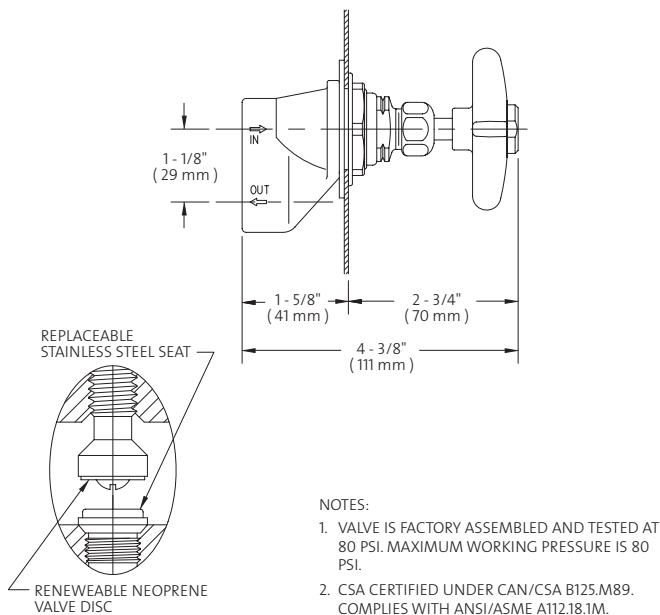
STEAM VALVE CONSTRUCTION

- L740S** Remote Control Steam Valve, Panel Mounted, Straight Front Hood



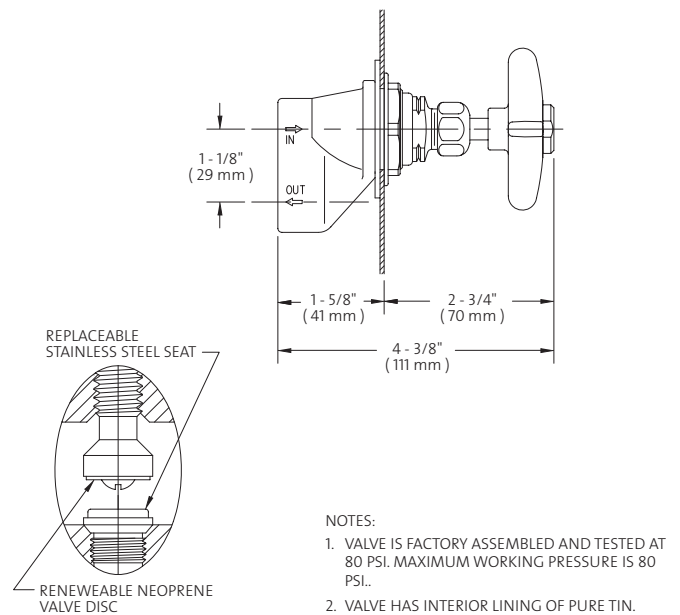
WATER VALVE CONSTRUCTION

- L740W** Remote Control Water Valve, Panel Mounted, Straight Front Hood



TIN-LINED WATER VALVE CONSTRUCTION

- L740WTL** Remote Control Pure Water Valve, Panel Mounted, Straight Front Hood



Measurements may vary $\pm 1/4$ ".

© 2008 / WaterSaver Faucet Co.