

○ L740FCN-784-QR Pressure Regulator Fixture, Fume Hood Mounted

THIS FIXTURE IS FOR USE ON PURE GAS SYSTEMS, INCLUDING OXYGEN. THE FOLLOWING GASES MAY BE USED WITH THIS FIXTURE: AIR, ARGON, CARBON DIOXIDE, HELIUM, NITROGEN, NITROUS OXIDE AND OXYGEN. DO NOT USE WHERE PRESSURE OR TEMPERATURE CAN EXCEED RATED OPERATING CONDITIONS.

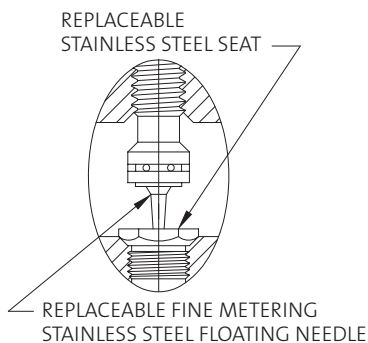
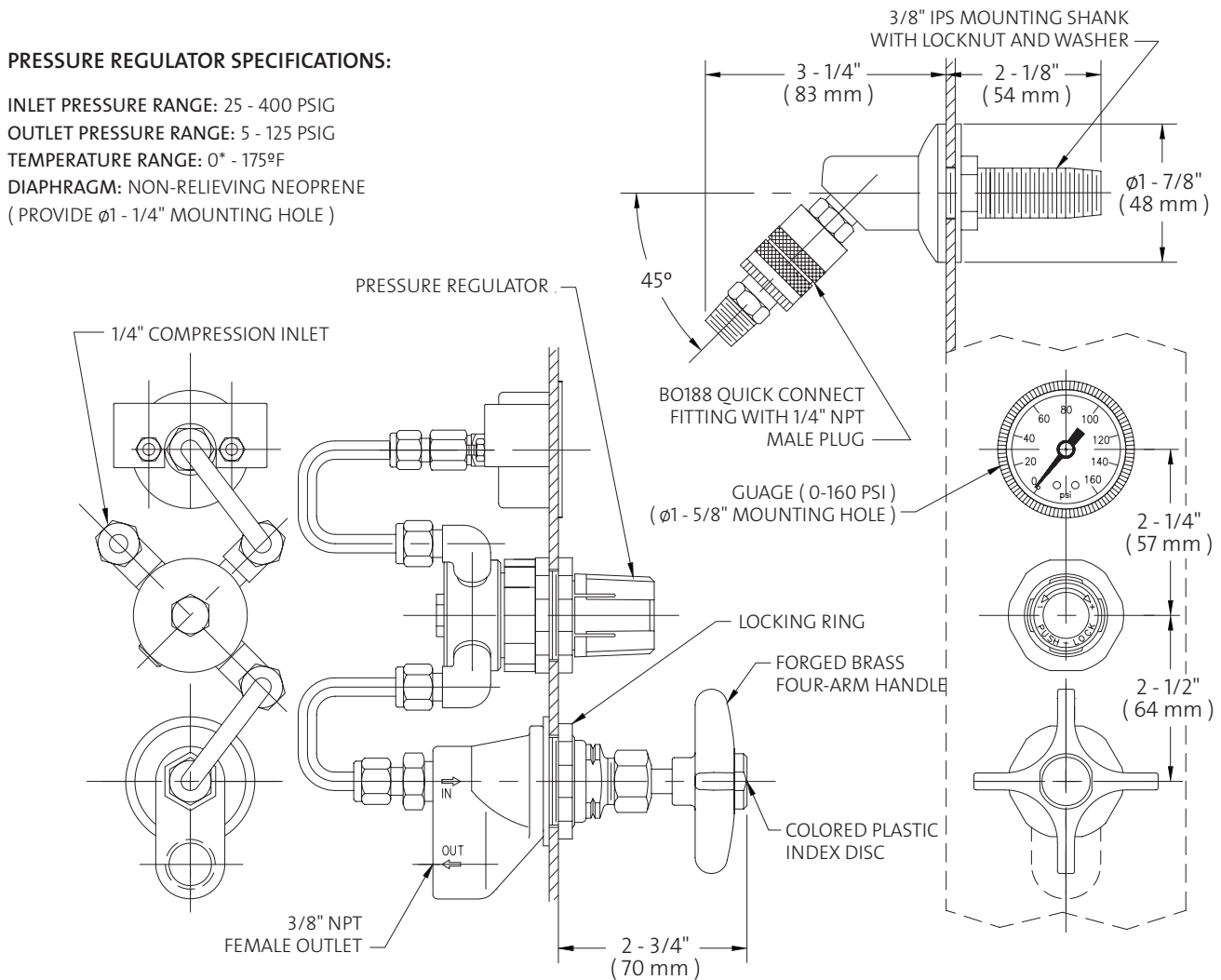
PRESSURE REGULATOR SPECIFICATIONS:

INLET PRESSURE RANGE: 25 - 400 PSIG

OUTLET PRESSURE RANGE: 5 - 125 PSIG

TEMPERATURE RANGE: 0° - 175°F

DIAPHRAGM: NON-RELIEVING NEOPRENE
(PROVIDE $\phi 1 - 1/4"$ MOUNTING HOLE)



NOTES:

1. FIXTURE IS CLEANED, DEGREASED AND PACKED FOR PURE GAS SERVICE.
2. PROVIDE $\phi 1 - 1/4"$ MOUNTING HOLE FOR VALVE.
3. PANEL THICKNESS NOT TO EXCEED $1/8"$.

Measurements may vary $\pm 1/4"$.

© 2008 / WaterSaver Faucet Co.